



2007-2018 GM 1500 3.5" INSTALLATION INSTRUCTIONS

Engineered for Both 2WD & 4WD Models

2007-2018 Chevrolet Silverado 1500 & 2007-2018 GMC Sierra 1500

#3600 - 2014-2018 4WD Models With O.E. Aluminum OR Stamped Steel Control Arms

#3700 - 2007-2016 4WD Models With O.E. Cast Steel Control Arms

#3800 - 2014-2018 2WD Models With O.E. Aluminum OR Stamped Steel Control Arms

#3850 - 2007-2016 2WD Models With O.E. Cast Steel Control Arms

CAUTION: MAKE SURE YOU HAVE THE CORRECT LIFT FOR YOUR VEHICLE:
General Motors has three (3) Different Upper Control Arms available for the 2014-2018 1500 4WD & 2WD - Cast Steel, Aluminum & Stamped Steel.

NOTE: Double check the Year, Make, Model, Control Arms and KIT Part Numbers.

NOTE: Prior to beginning the installation, OPEN the Boxes and CHECK the Included Components Compared to the Parts Breakdown. Check all parts and hardware in the box with the parts list below. Be sure you have all needed parts and know where they install.

IF you find a packaging error, contact SUPERLIFT directly. Do not contact the dealer where the system was originally purchased. You will need the control number from each box when calling; this number is located at the bottom of the part number label and to the right of the bar code.

INTRODUCTION

Installation requires a professional mechanic. The overall vehicle must be in excellent working condition; repair or replace all worn parts.

Read instructions several times before starting. Be sure you have all needed parts and know where they install. Read each step completely as you go.

NOTES:

- The ball joints **DO NOT** come pre-greased---They **MUST** be greased prior to installation.
- Front end alignment is necessary.
- An arrow on diagrams indicates which direction is toward the front of the vehicle.
- A foot-pound torque reading is given in parenthesis () after each appropriate fastener.
- Do not fabricate any components to gain additional suspension height.
- Prior to drilling or cutting, check behind the surface being worked on for any wires, lines, or hoses that could be damaged.
- After drilling, file smooth any burrs and sharp edges.
- Prior to attaching components, be sure all mating surfaces are free of grit, grease, excessive undercoating, etc.
- A factory service manual should be on hand for reference.
- Use the check-off box "☐" found at each step to help you keep your place. Two "☐☐" denotes that one check-off box is for the driver side and one is for the passenger side. Unless otherwise noted, always start with the driver side.

PARTS LIST ... The part number is stamped into each part or printed on an adhesive label. Identify each part and place the appropriate mounting hardware with it.

How to Read the Kit Breakdown Charts:

The 'K KIT BREAKDOWN' lists the Part Numbers, Quantities & Part Description of the Boxes that are included in the K KIT. The 'KIT BREAKDOWN' lists Part Numbers, Quantities & Part Description of the Individual Components & Hardware Bags that are included in Each Box. The 'HARDWARE BREAKDOWN' lists the Part Numbers, Quantities & Part Description of the Individual Components.

Kit Part Number: 3600 / 3700 / 3800 / 3850			Kit Part Number: 77-3600A - 4WD ONLY		
Part Number	Qty.	Description	Part Number	Qty.	Description
55-11-3600 OR 55-11-3700	1	Upper Control Arm, Driver	12MX1.75X120CS	2	12mm x 120mm Bolt
55-12-3600 OR 55-12-3700	1	Upper Control Arm, Passenger	12SW	2	1/2" SAE Washer
55-13-3600	2	Upper Strut Spacer	10MX1.5X65CS	2	10mm x 65mm Bolt
55-04-3600	1	Differential Skid Plate: 4WD ONLY	10MX1.5X35CS	2	10mm x 35mm Bolt
55-04-3340	2	Differential Spacer, Front: 4WD ONLY	38UW	2	3/8" U-Bolt Washer
55-06-3600	2	Differential Spacer, Rear: 4WD ONLY	Kit Part Number: 77-13-3600		
028	2	Blocks, Rear	10MX1.5X35CB	6	10mm x 35mm Carriage Bolts
10462	4	9/16" x 2-1/2" x 10-1/2" U-Bolts	10MPN	6	10mm Push Nuts
01-85150	2	Shock Absorber, Rear	Kit Part Number: 77-3800		
77-13-3600	1	Hardware Bag - strut spacer	14X12STB	2	1/4" Seft Tapping Bolt
77-3600-1	1	Hardware Bag	10MFN	6	10mm Flange Nut
77-3600A	1	Hardware Bag	Kit Part Number: 77-3600-1 - 4WD ONLY		
77-3800	1	Hardware Bag	55-04-3340	2	Front Diff Spacer
77-1509	1	Hardware Bag, U-Bolts	55-06-3600	2	Rear Diff Spacer
77-80033	1	Hardware Bag, Shocks	1-26-7055	2	1" OD x 1/2" Thick Spacer
88-3600	1	Instruction Bag	Kit Part Number: 77-80033		
Kit Part Number: 77-80033			Kit Part Number: 77-1509		
Part Number	Qty.	Description	Part Number	Qty.	Description
01-60418	4	Shock Eye Bushing	1511-B09	8	9/16" Hi Nut
34SW	4	3/4" SAE washer	916CW	8	9/16" U-Bolt Washer
39-3480	4	Shock Eye Sleeve	Kit Part Number: 88-3600		
Part Number	Qty.	Description			
0034	1	SUPERLIFT Badge			
0046	2	SUPERIDE Shock Decal			
1112CT	2	Cable Tie			
00461	1	Warning to Driver Decal			
FORM#3600	1	Instruction Sheet			

Step	Part Number	Qty. Per Kit	Description	Qty. Per Bracket	New Attaching Hardware	Hardware Bag Number
7	55-11-3600 OR 55-11-3700	1	Upper Control Arm, Driver	1	1/4" x 1/2" Self-Tapping Bolt	77-3800
7	55-12-3600 OR 55-12-3700	1	Upper Control Arm, Passenger	1	1/4" x 1/2" Self-Tapping Bolt	77-3800
8	55-13-3600	2	Upper Strut Spacer	3	10mm Carriage Bolts	77-13-3600
				3	10mm Flange Nuts	77-3800
				3	Push Nut	77-13-3600
12	55-06-3600	2	Differential Spacer, Rear: 4WD ONLY			77-3600A
12	55-05-3600	2	Differential Spacer, Front: 4WD ONLY	2	12mm x 120mm Bolt	77-3600
				2	12 Standard Washer	77-3600A
13/14	55-04-3600	1	Differential Skid Plate: 4WD ONLY	2	1-26-7055 - 1" OD x 1/2" Thick Spacer	77-3600
				2	10mm x 35mm Bolt	77-3600A
				2	3/8" U-Bolt Washer	
21	028	2	Blocks, Rear	4	9/16" x 2-1/2" x 10-1/2" U-Bolts	
				8	9/16" Hi-Nut U-Bolt Nut	77-1509
				8	9/16" U-Bolt Washer	
22	01-85150	2	Shock Absorber, Rear	4	Shock Eye Bushing	77-80033
				4	3/4" SAE Washer	
				4	Shock Eye Sleeve	

FRONT DISASSEMBLY

⚠ NOTE: Save all factory components and hardware for reuse, unless noted.

1) PREPARE VEHICLE...

- Place vehicle in neutral. Raise front of vehicle with a jack and secure a jack stand beneath each frame rail, behind the lower control arms. Ease the frame down onto the stands, place transmission in low gear or “park”, and chock rear tires. Remove front tires.
- Disconnect the battery.
- Remove front splash guard; mark the skid plates (driver and passenger) then remove.

2) LOWER CONTROL ARM BOLTS...

- Loosen the two control arm bolts.

3) TIE ROD ENDS...

- Remove the nuts securing the tie rod ends to the knuckle. Using the appropriate puller tool, separate the tie rod end from the knuckle.

4) ANTI-SWAY BAR LINKS...

- Measure and record the amount of exposed threads above the nut on the anti-sway bar link. On each side, loosen and remove the bushings and hardware attaching the anti-sway bar link to bar body.

5) STRUT REMOVAL...

- Support the lower control arm with a jack as not to interfere with the removal of the lower bolts.
- Mark the location of each strut (driver and passenger side) as well as the outermost stud of each strut for later reference during re-assembly.
- Remove the two bolts securing the strut to the lower control arm, followed by the three nuts securing the strut to the frame. Remove the strut while taking precautions not to damage any other vehicle components.

6) CONTROL ARM...

- Mark the position of the alignment cam bolt washers on the frame.
- Disconnect the brake line bracket from the upper control arm.
- With the control arm still supported with a jack. Remove the upper ball joint nut and, using the appropriate puller tool, separate the upper control arm ball joint from the knuckle.
- Remove the upper control bolts and remove the upper control arm from the vehicle.

FRONT ASSEMBLY

7) CONTROL ARM...

Install the new upper control arm in the frame using the factory hardware. Do not tighten at this time. **⚠ NOTE: Grease the ball joint prior to installations.**

8) INSTALL STRUT SPACERS...

[Illustration 1-A] Using a cutoff wheel or similar tool, trim the (3) OE Strut studs down to the top most thread.

[Illustration 1-B] Insert 10mm carriage bolts into the top of the strut spacer (#55-13-3600). Slide push nut onto the carriage bolts to hold bolts in place for installation.

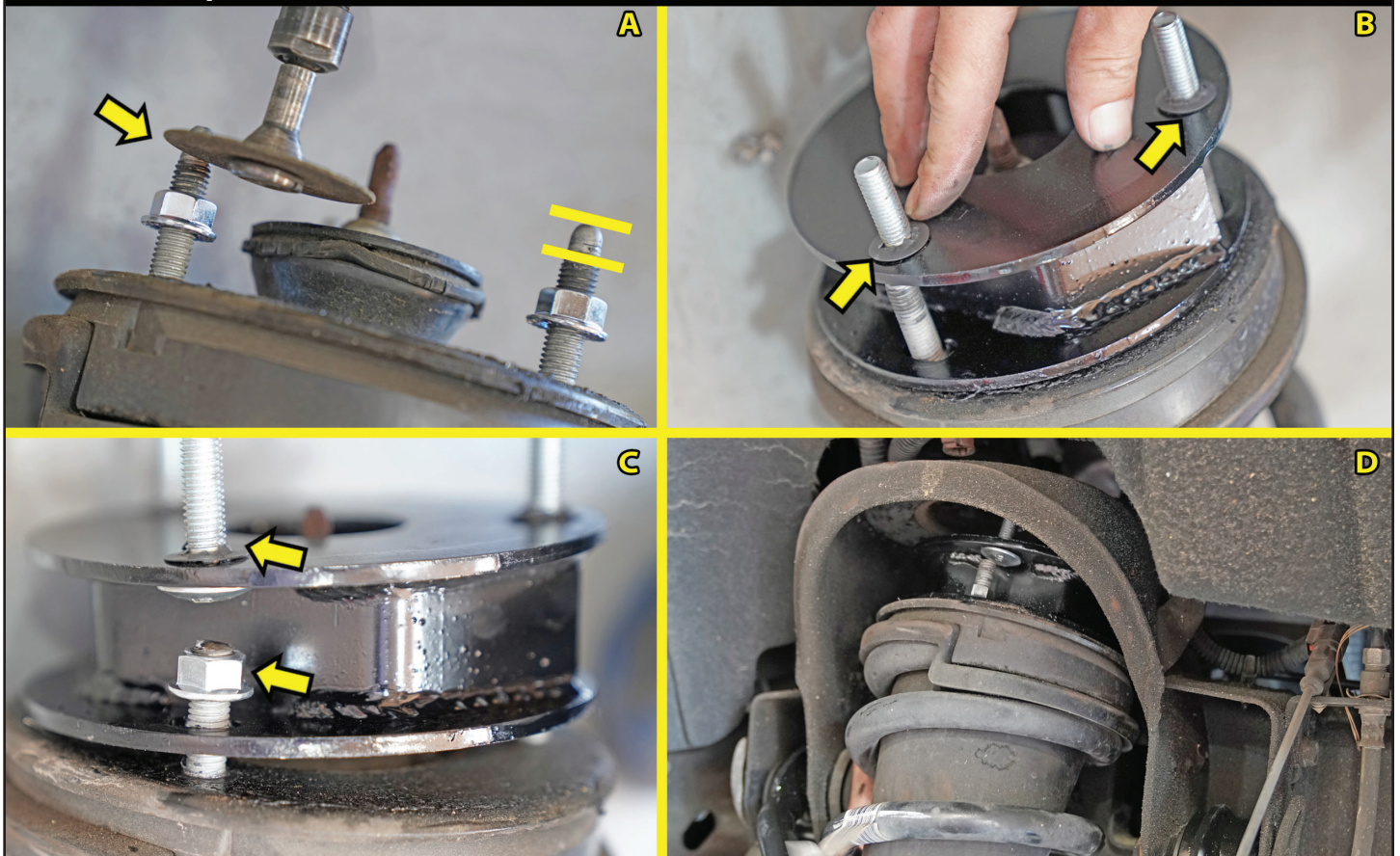
[Illustration 1-C] Attach the strut spacer bracket (#55-13-3600) to the top of the strut assembly using supplied 10mm flange nuts. Tighten the flange nuts (40).

Attach the lower end of the strut to the lower control arm using the factory hardware in the forward hole and the supplied 10mm x 65mm bolt in the rearward hole.

[Illustration 1-D] Tighten the 10mm carriage bolts at the top with the stock nuts (45) and the factory hardware at the bottom (40) of the strut assembly.

Illustration 1

Instal Strut Spacers...



9) CONTROL ARM...

- Connect the new control arm to the steering knuckle using the supplied castle nut and cotter pin.
- Connect the factory brake line bracket to the upper control arm with the supplied 1/4" self-tapping bolt. Note: The bracket may need to be bent slightly to start the bolt; it can be bent back to the original position once the bolt is tightened.

10) TIE ROD ENDS...

- Attach the tie rod end to the knuckle using the factory nut and tighten (44).

11) ANTI-SWAY BAR LINKS...

- Reattach the anti-sway bar links to the lower control arm and the anti-sway bar body. Tighten until the exposed thread dimension previously recorded is reached.

2WD INSTALLERS SKIP TO STEP 15**12) REAR CROSSMEMBER and DIFFERENTIAL SPACERS...**

- Mark on the rear crossmember the spot where the front differential is the closest to the rear crossmember.

- Remove the rear crossmember. Support the differential with a jack and remove the rear differential bolts.

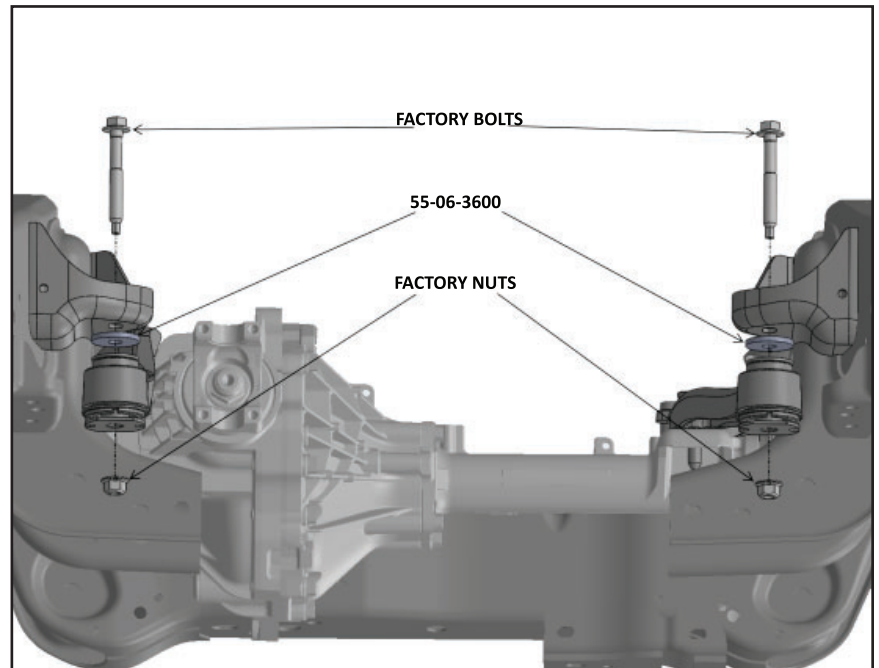
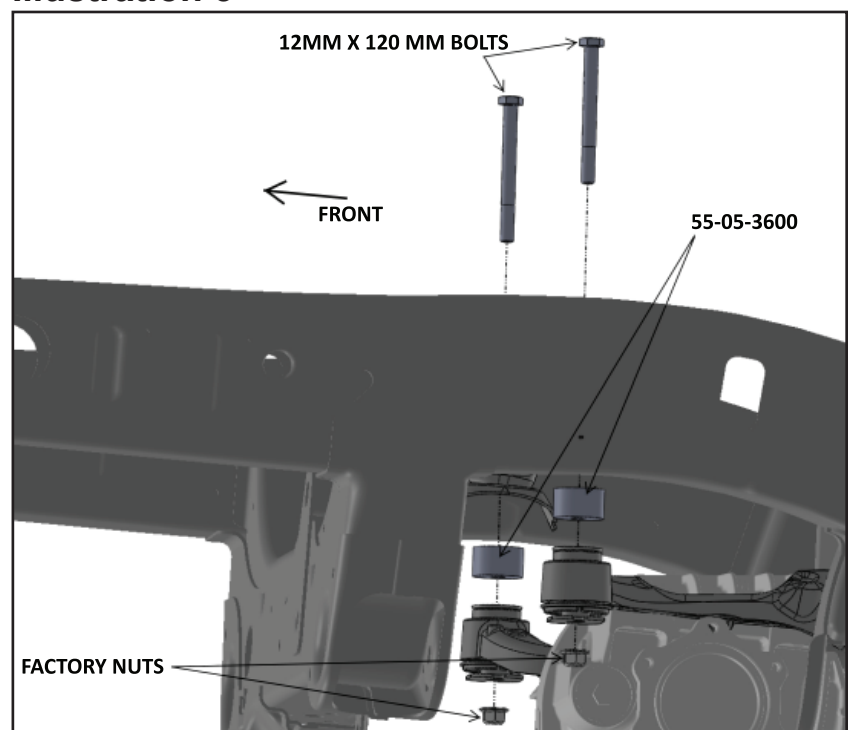
- [Illustration 2] Carefully lower the differential enough to install the new thin spacers (#55-06-3600) between the frame and the differential mount and secure using the factory hardware; do not tighten at this time.

- [Illustration 3] Remove the front differential bolts and lower the differential down to enough to install the thick spacers (#55-05-3600) between the frame and the differential mount and secure the supplied 12mm bolts and factory nuts; do not tighten at this time.

- Tighten the rear differential bolts and then the front. (75) It is important to tighten the rear differential bolts first to ensure proper alignment of the differential.

- Using the marks made earlier on the rear crossmember as a guide, use a hammer to form a slight depression in the crossmember to allow for clearance around the differential. The depression should be about 1/8" deep.

- Reinstall the rear crossmember using the factory hardware. (154). Make sure the differential is no closer than 1/8" from the factory rear crossmember.

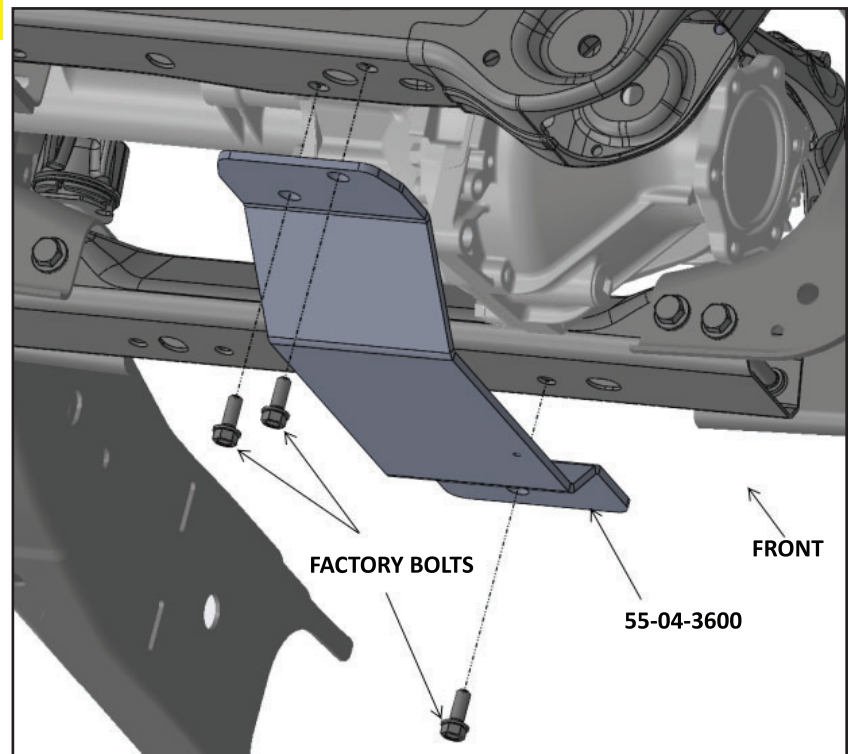
Illustration 2**Illustration 3**

13) SKID PLATE**⚠ NOTE: (2007-2013 Year Models)...**

- [Illustration 4] Reuse the factory 10mm bolts removed from the upper splash shield and secure the skid plate to the frame. The new skid plate uses two (2) bolts in the front and one (1) in the rear. (40)
- Reinstall the plastic splash guard by using the factory hardware at the top and the supplied 10mm x 35mm bolts at the bottom. (30)

14) SKID PLATE**⚠ NOTE: (2014-2018 Models)...**

- [Illustration 4] Reuse the factory 10mm bolts removed from the upper splash shield and secure the skid plate to the frame. (40)
- Install the factory passenger side skid plate; placing the supplied spacers (#1-26-7055) between the skid plate and the crossmember. Secure using the supplied 10mm x 35mm bolts. (40)
- Reinstall the plastic splash guard by using the factory hardware; only one bolt will be used to attach it to the driver's side skid plate. (30).

Illustration 4**15) TIRES / WHEELS...**

- [Illustration 5] Reinstall the tires and wheels. Tighten the lug nuts (95) in the sequence shown.

When the tires / wheels are installed, always check for and remove any corrosion, dirt, or foreign material on the wheel mounting surface, or anything that contacts the wheel mounting surface (hub, rotor, etc.). Installing wheels without the proper metal-to-metal contact at the wheel mounting surfaces can cause the lug nuts to loosen and the wheel to come off while the vehicle is in motion.

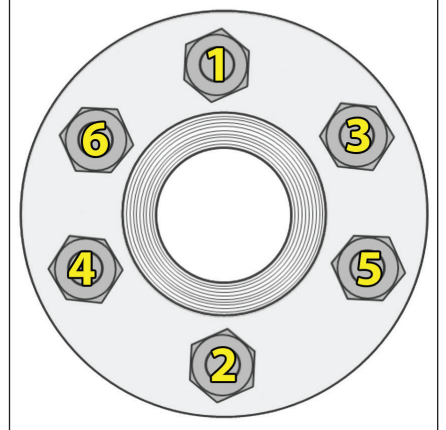
⚠ WARNING: Retighten lug nuts at 500 miles after any wheel change, or anytime the lug nuts are loosened. Failure to do so could cause wheels to come off while vehicle is in motion.

16) INITIAL CLEARANCE CHECK...

- With the vehicle still on jack stands, and the suspension "hanging" at full extension travel, check all components for proper operation and clearances. Pay special attention to clearance between the tires / wheels and brake hoses, driveshaft, etc.
- Lower vehicle to the floor.

Illustration 5**Lug Nut Torque Sequence...**

Follow the Sequence Below to Torque the Lug Nuts



REAR DISASSEMBLY

17) PREPARE VEHICLE...

Place vehicle in neutral. Raise rear of vehicle with a jack and secure a jack stand beneath each frame rail, in front of the rear link arms. Ease the frame down onto the stands, place transmission in low gear or "park", and chock rear tires. Place jack under axle and raise. Remove rear tires.

18) BRAKE LINE BRACKET...

Remove the two (2) bolts holding the factory brake line bracket to the frame and leave loose at this time.

19) SHOCK ABSORBERS...

Remove the shocks and discard.

20) UBOLTS...

Remove spring to axle U-bolts and move axle several inches away from springs.

Clean spring pads of all debris.

REAR ASSEMBLY

21) BLOCK AND U-BOLTS...

Position the Superlift block on top of the factory block, then using the floor jack(s), mate the springs to the blocks, be sure that the center bolt heads seat properly. Install the new Superlift U-bolts and factory U-bolt plate. Evenly torque the U-bolts using an "X" tightening sequence (85).

22) SHOCK ABSORBERS...

Install the rear shock absorbers. Position a supplied 3/4" SAE washer at the top and bottom of the shock on the inside of the bracket and tighten the upper and lower bolts (76).

23) BRAKE LINE BRACKET...

[Illustration 6] Place the bracket at the bottom of the frame rail and mark the two holes. Using the marks, drill two 7/32 holes and reattach bracket using the supplied 1/4" self-tapping bolts.

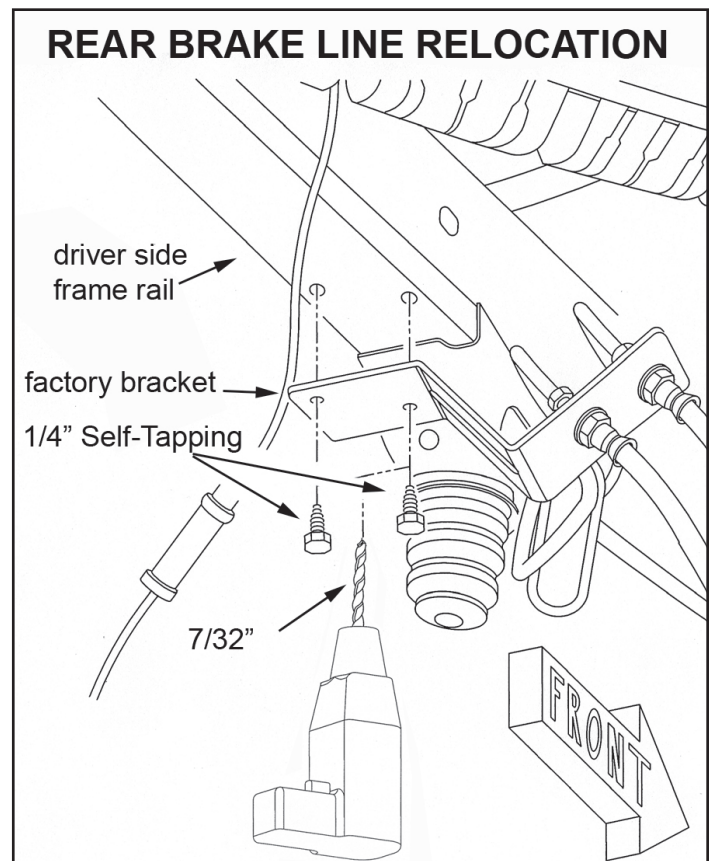
24) TIRES / WHEELS...

[Illustration 5] Reinstall the tires and wheels. Tighten the lug nuts (95) in the sequence shown.

⚠WARNING: When the tires / wheels are installed, always check for and remove any corrosion, dirt, or foreign material on the wheel mounting surface, or anything that contacts the wheel mounting surface (hub, rotor, etc.). Installing wheels without the proper metal-to-metal contact at the wheel mounting surfaces can cause the lug nuts to loosen and the wheel to come off while the vehicle is in motion.

⚠WARNING: Retighten lug nuts at 500 miles after any wheel change, or anytime the lug nuts are loosened. Failure to do so could cause wheels to

Illustration 6



come off while vehicle is in motion.

25) CLEARANCE CHECK...

Check all hardware for proper torque specifications.

With the vehicle on the ground, check all components for proper operation and clearances. Pay special attention to the clearance between the tires / wheels, brake hoses, wiring, etc. Check tire/wheel clearance with the fenders/bumper as well as with the steering knuckle.

26) WHEEL ALIGNMENT...

Realign vehicle to factory OEM specifications. It is necessary to have a proper and professional wheel alignment performed by a certified alignment technician. Align the vehicle to factory specifications. It is recommended that your vehicle alignment be checked after any off-road driving.

27) HEADLIGHTS...

Re-adjust headlights to proper setting. In addition to your vehicle alignment, for your safety and others, it is necessary to check and adjust your vehicle head lamps for proper aim and alignment.

28) FOUR WHEEL DRIVE...

Activate four wheel drive system and check for proper engagement.

29) SUPERLIFT WARNING DECAL...

Install the **Warning to Driver** decal on the inside of the windshield or dash within the Driver's view.

IMPORTANT MAINTENANCE INFORMATION

⚠️WARNING: It is the ultimate buyer's responsibility to have all bolts / nuts checked for tightness after the first 100 miles and then every 1000 miles. The steering, suspension and driveline systems, plus wheel alignment should be inspected by a qualified professional mechanic at least every 3000 miles.

LIMITED LIFETIME WARRANTY / WARNINGS

Your SUPERLIFT® product is covered by the Limited Warranty explained below that gives you specific legal rights. This limited warranty is the only warranty SUPERLIFT® makes in connection with your product purchase. SUPERLIFT® neither assumes nor authorizes any retailer or other person or entity to assume for it any other obligation or liability in connection with this product or limited warranty.

SUPERLIFT, LLC, LIMITED LIFETIME WARRANTY

What is covered? Subject to the terms below, SUPERLIFT® will repair or replace its products found defective in materials or workmanship for so long as the original purchaser owns the vehicle on which the product was originally installed. Your warranter is SUPERLIFT, LLC, doing business as SUPERLIFT® Suspension Systems ("SUPERLIFT®").

What is not covered? Your SUPERLIFT® Limited Warranty does not cover products SUPERLIFT® determines to have been damaged by or subjected to:

- Alteration, modification or failure to maintain.
- Normal wear and tear (bushings, rod ends, etc.). Scratches or defects in product finishes (powder coating, plating, etc.).
- Damage to, or resulting from, the vehicle's electronic stability system, related components or other vehicle systems.
- Racing or other vehicle competitions or contests. Accidents, impact by rocks, trees, obstacles or other aspects of the environment.
- Theft, vandalism or other intentional damage.

Remedy Limited to Repair or Replacement. The exclusive remedy provided hereunder shall, upon SUPERLIFT's inspection and at SUPERLIFT's option, be either repair or replacement of the product covered under this Limited Warranty. Customers requesting warranty consideration should contact SUPERLIFT®

by phone (1-800-551-4955) to obtain a Returned Goods Authorization number. All removal, shipping and installation costs are customer's responsibility.

If a replacement part is needed before the SUPERLIFT® part in question can be returned, you must first purchase the replacement part. Then, if the part in question is deemed warrant-able, you will be credited / refunded.

OTHER LIMITATIONS - EXCLUSION OF DAMAGES - YOUR RIGHTS UNDER STATE LAW

- Neither SUPERLIFT® nor your independent SUPERLIFT® dealer are responsible for any time loss, rental costs, or for any incidental, consequential or other damages you may have.
- This Limited Warranty gives you specific rights, and this is the only warranty SUPERLIFT® makes in connection with your product purchase. You may also have other rights that vary from state to state. For example, while all implied warranties are disclaimed herein, any implied warranty required by law is limited to the terms of our Limited Lifetime Warranty as described above. Some states do not allow limitations of how long an implied warranty lasts and / or do not allow the exclusion or limitation of incidental or consequential damages, so the limitations and exclusions herein may not apply to you. SUPERLIFT® neither assumes nor authorizes any retailer or other person or entity to assume for it any other obligation or liability in connection with this product or Limited Warranty.

IMPORTANT PRODUCT USE AND SAFETY INFORMATION / WARNINGS

⚠️WARNING: As a general rule, the taller a vehicle is, the easier it will roll over. Offset, as much as possible, what is lost in rollover resistance by increasing tire track width. In other words, go "wide" as you go "tall"; always use as wide a tire and wheel combination as feasible to enhance vehicle stability. We strongly recommend, because of rollover possibility, that the vehicle be equipped with a functional roll bar and cage system. Seat belts and shoulder harnesses should be worn at all times. Avoid situations where a side rollover may occur.

Generally, braking performance and capabilities are decreased when significantly larger / heavier tires and wheels are used. Take this into consideration while driving. Also, changing axle gear ratios or using tires that are taller or shorter than factory height will cause an erroneous speedometer reading. On vehicles equipped with an electronic speedometer, the speed signal impacts other important functions as well. Speedometer recalibration for both mechanical and electronic types is highly recommended.

Do not add, alter, or fabricate any factory or aftermarket parts to increase vehicle height over the intended height of the SUPERLIFT® product purchased. Mixing component brands is not recommended.

WE WANT TO SEE YOUR RIDE...

Grab photos of your SUPERLIFT Equipped truck in various poses and in action.

Email pictures to us at sales@superlift.com

Tag us on **Facebook:** @superlift suspension systems

Tag us on **Instagram:** #superlift, #superliftsuspension, #superliftequipped

THANKS For Choosing SUPERLIFT...

For questions, technical support and warranty issues relating to this SUPERLIFT products, please contact SUPERLIFT directly.

SUPERLIFT SUSPENSION
300 Huey Lenard Loop Rd.
West Monroe, Louisiana 71292
Phone: (318) 397-3000
Sales / Tech: (800) 551-4955
Fax: (318) 397-3040
SUPERLIFT.COM